

# Weatherize your home and save \$\$\$\$

**Step 2: Fill out an application.** All year-round residents are eligible to take advantage of this program. It's not free, but it's a great deal!

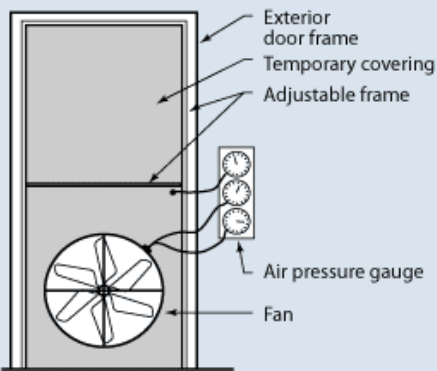
**What you give:** The first 16 to sign up pay only \$200 towards the work which will be done on your house. (\*Financial help available) If there is greater interest we will try to keep the price at \$200, but it may go up to \$325 per home.

**What you get:** ~\$800 worth of work arranged for you, including a home energy audit and 6 man-hours of air sealing work in your home.

Island homeowners who have participated in this program have saved **OVER \$400** in heating costs **every year.**

## Diagnostic Tools

Testing the airtightness of a home using a special fan called a blower door can help to ensure that air sealing work is effective. Often, energy efficiency incentive programs, such as the DOE/ EPA ENERGY STAR Program, require a blower door test (usually performed in less than an hour) to confirm the tightness of the house.

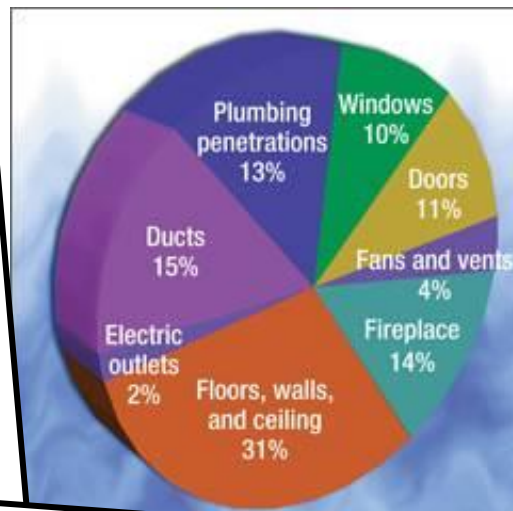


**Step 1:** Come to the community meeting on:  
**February 11<sup>th</sup>**  
**7:15pm**  
**Island Hall**

Learn more about Weatherization Week on Chebeague and how you can benefit by participating



## Where does your house lose heat?



**Step 3:** Plan to be home during work on your home.

You will learn where the air flows in your house, where you lose heat, and observe the best methods for sealing your home.

**Step 4:**

**Enjoy a warmer home and energy savings!**